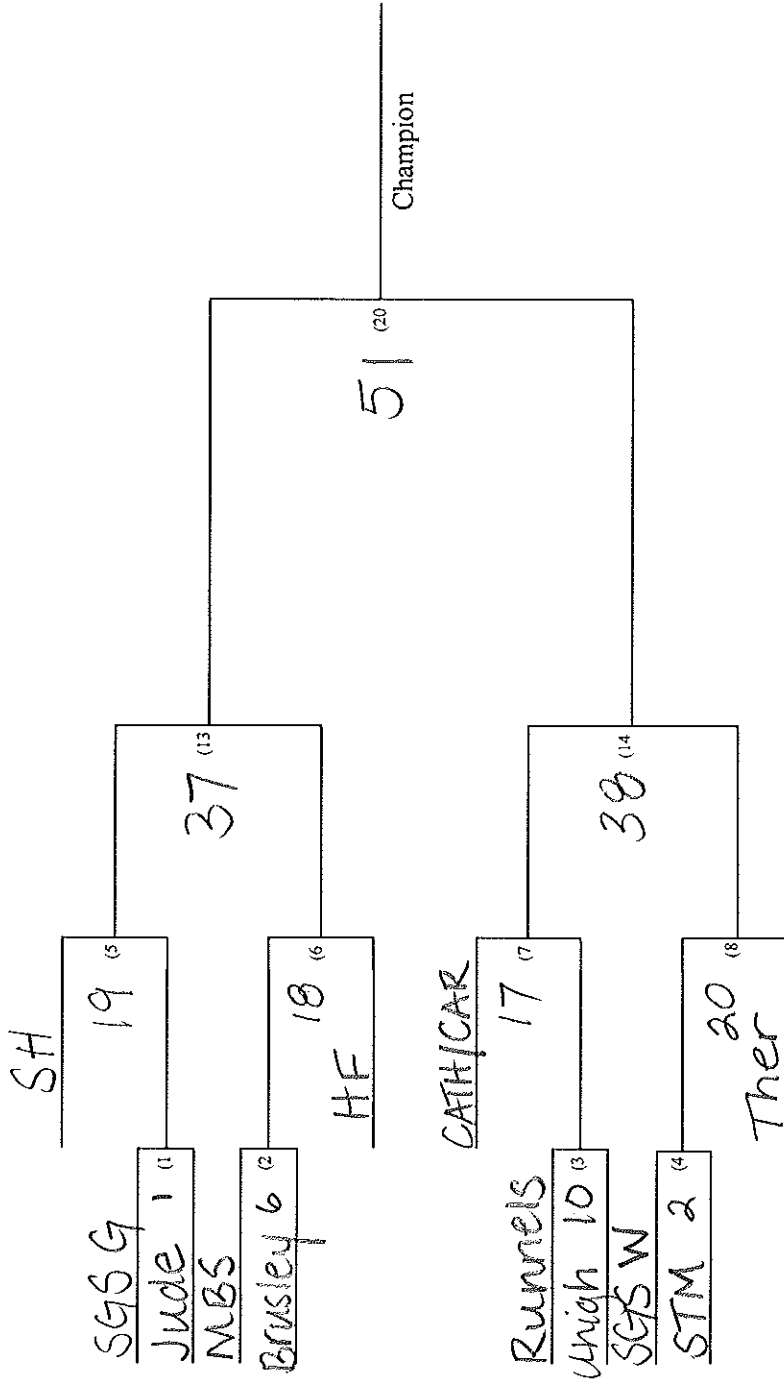
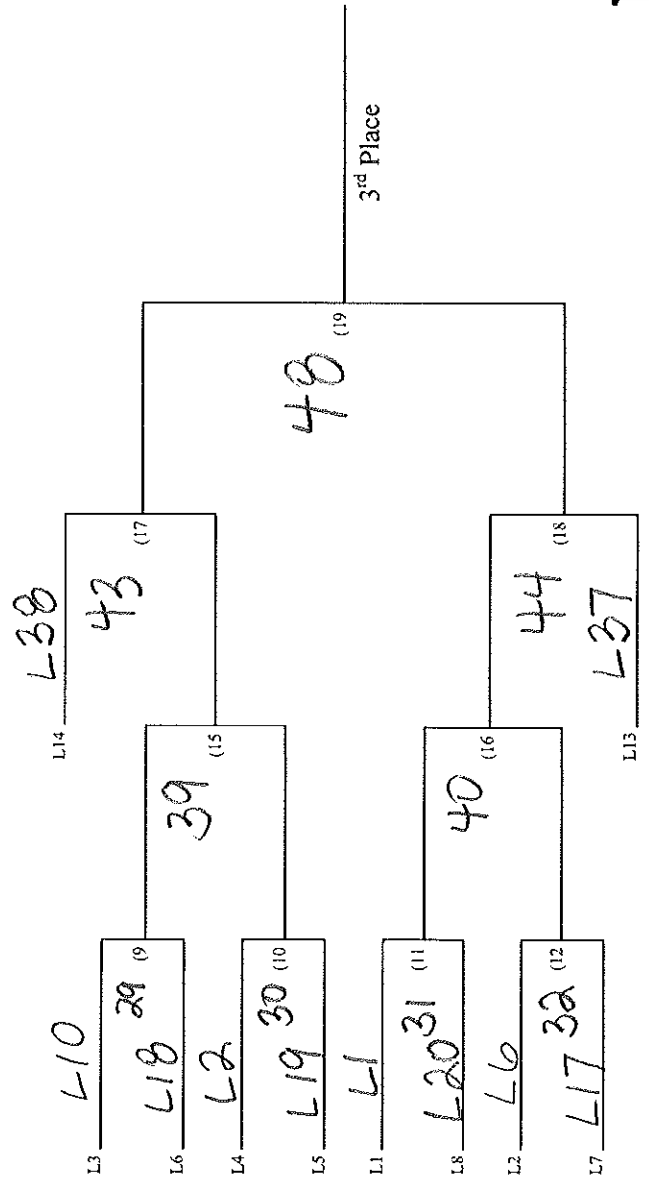


# St. George Varsity Tournament 7th Grade Bracket

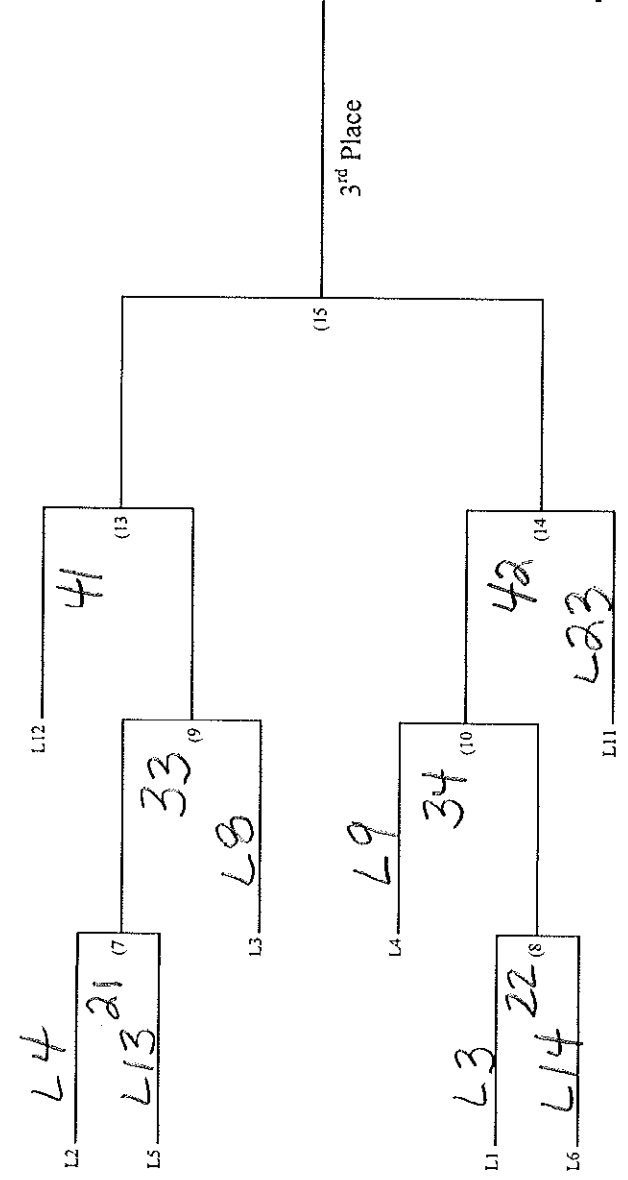
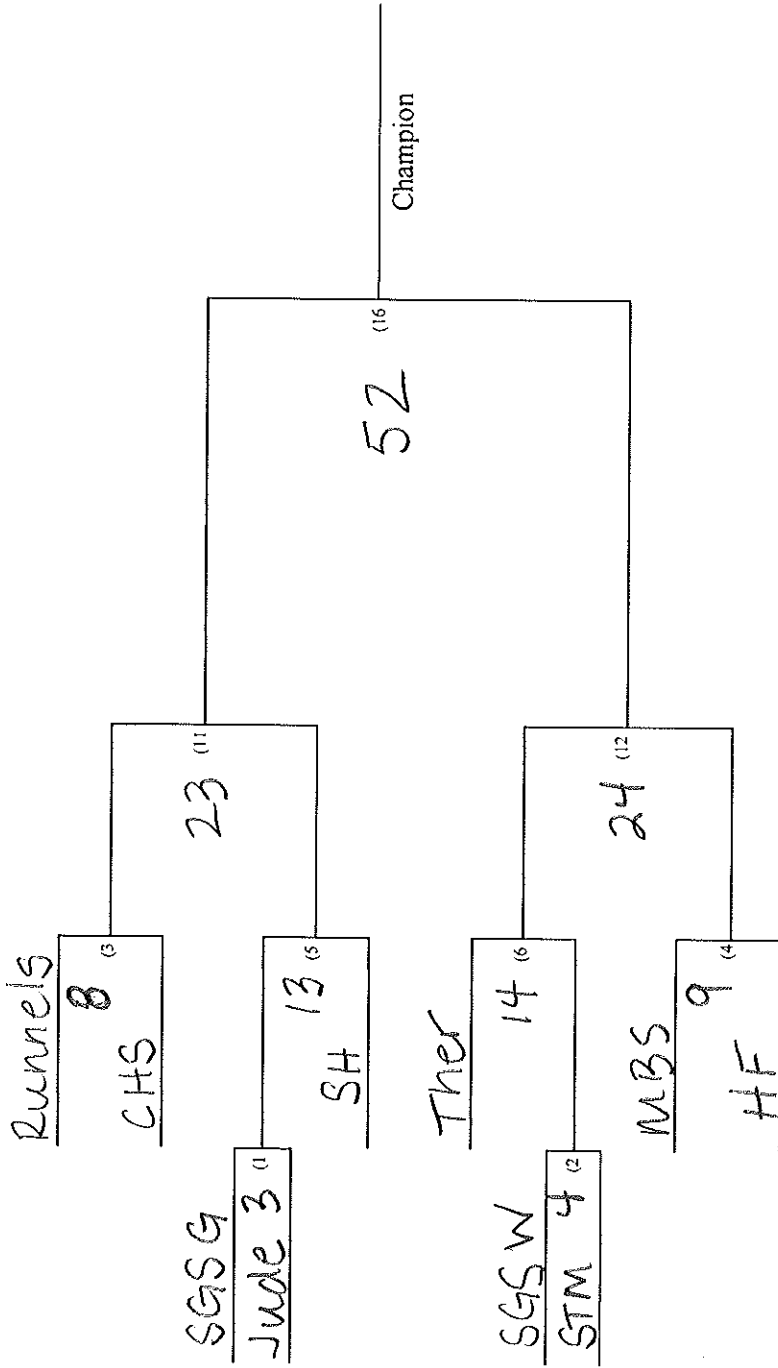


2<sup>nd</sup> Place (Loser of 20)

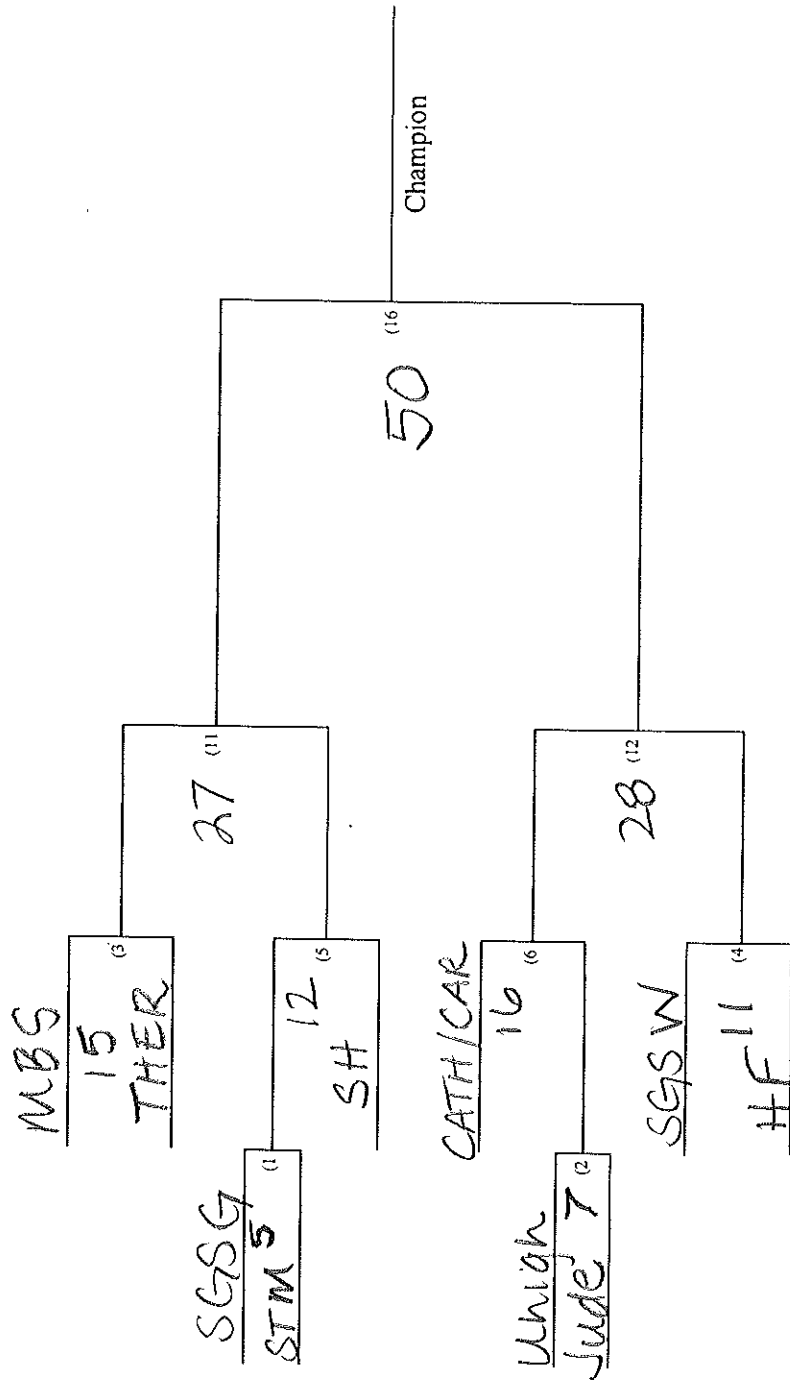
4<sup>th</sup> Place (Loser of 19)



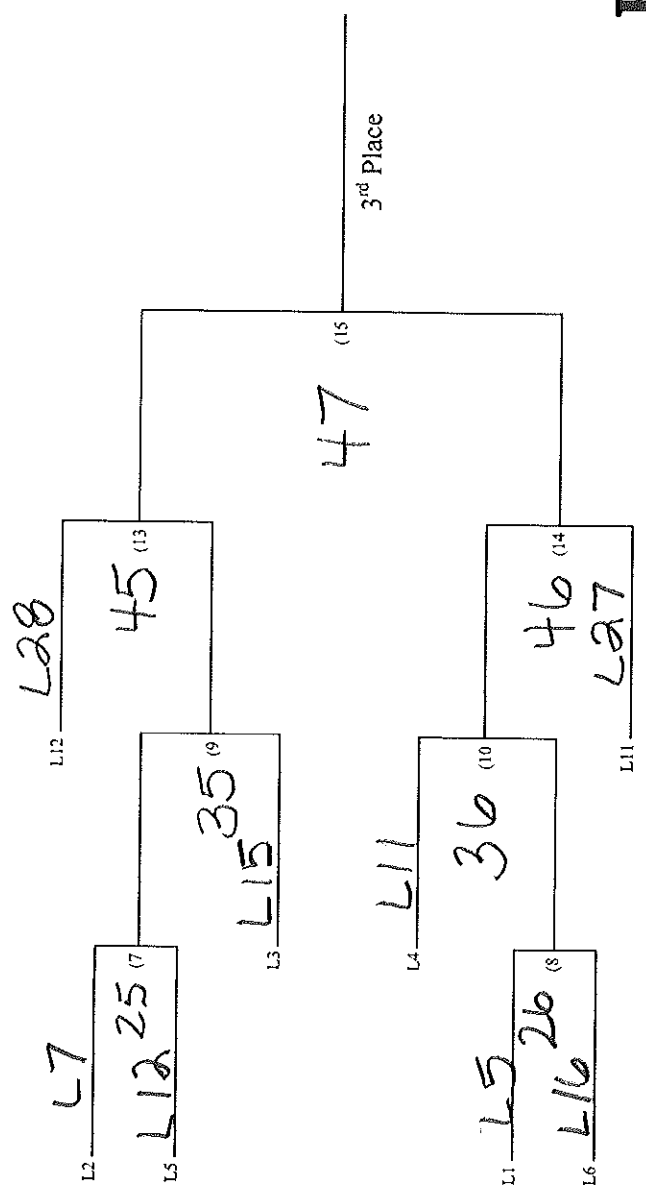
# St. George Varsity Tournament 8th Grade Bracket



# St. George Varsity Tournament 6th Grade Bracket



2<sup>nd</sup> Place (Loser of 16)



4<sup>th</sup> Place (Loser of 15)